

# GPS Power Divider



## FEATURES

- **Medium Power 30 Watts Average**
- **L Band 1400-1600 MHz**
- **Port 2 DC Blocked**

Rojone's AMA-2300-XN Series of power dividers are specifically designed for GPS applications. One output is AC coupled to the input while the other is DC coupled to allow for two receivers to a single active antenna. The receiver connection to the power divider's DC path will be able to pass DC to the antenna.

The DC current capability is > 500mA

*L1/L2 Splitters are also available please contact the factory*

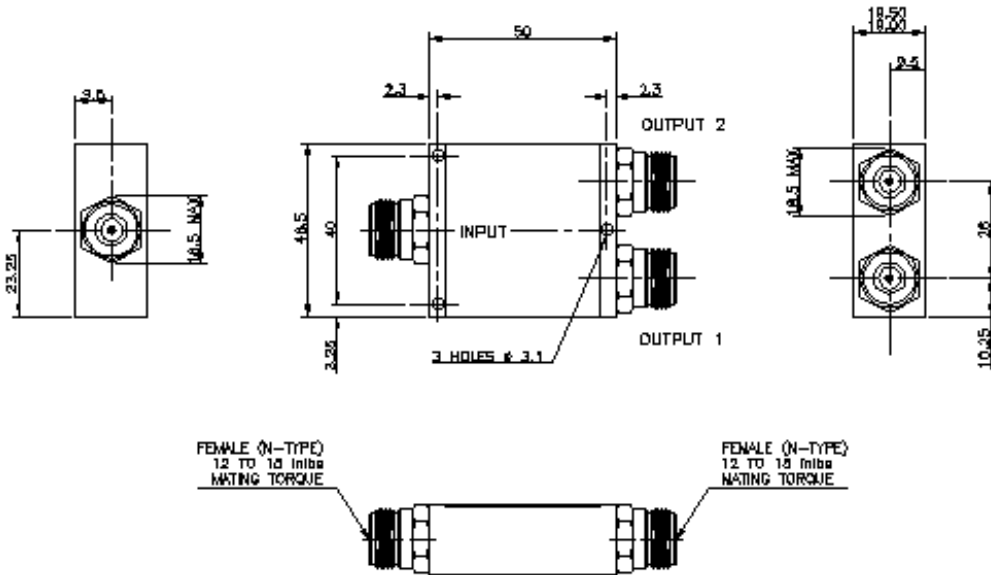
## Specifications

Part Number	AMA-2300-2N	AMA-2300-4N
Description	2 Way GPS Splitter	4 Way GPS Splitter
Frequency Range	1400 to 1600 MHz	1400 to 1600 MHz
Number of Ports	2 Port	4 Port
Isolation	20dB Minimum	20dB Minimum
Insertion Loss	0.35dB Typical	1.0dB Typical
Amplitude Balance	< 0.2dB	0.2dB Typical
Phase Balance	< 2 Degrees	5 Degrees Typical
VSWR	1.22:1 Max	1.22:1 Max 20dB Typical
Average Power	30 Watts CW	50 Watts
Impedance	50 Ohms	50 Ohms
Connector Type	N Female Standard.	N Female Standard
Package Size	87 x 46 x 16mm	118 x 76 x 19 mm
Weight	160grams (max.)	650grams (max)



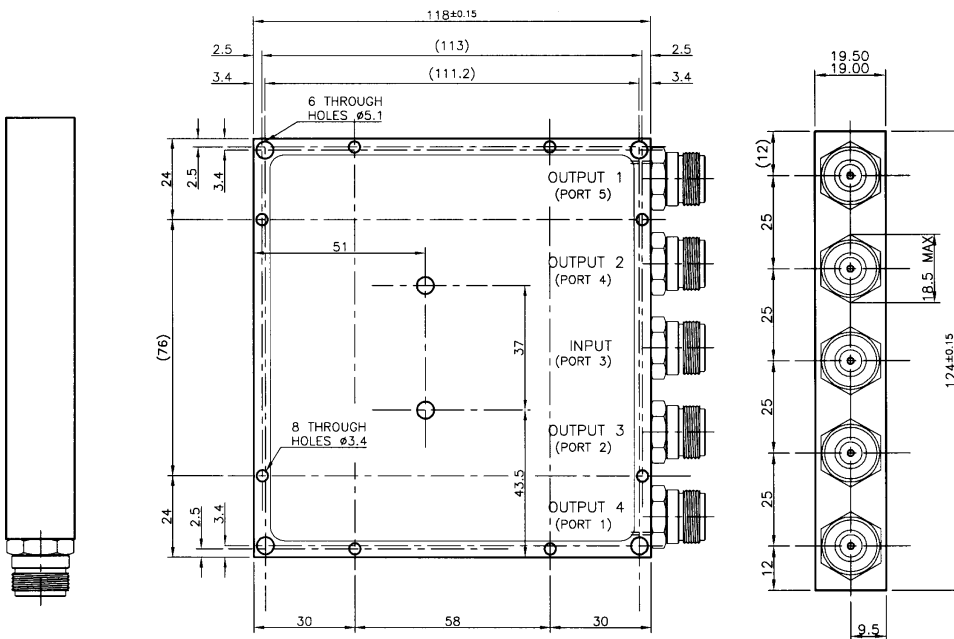


# Mechanical Outline



Old Part Number : AMA064

Part No # AMA-2300-2N



Part No # AMA-2300-4N

N connectors are standard other connector types are also available on request.

Temperature Range 0 to +60 degrees C

Peak Power for all our devices is 3KW @ 1% duty cycles

All products have a Storm Gray Polyurethane painted finish

Recommended coupling torque force for N connector 40 to 60 Ncm.

Note : Over tightening the connectors may damage the connector to stripline transition internally please take care.

